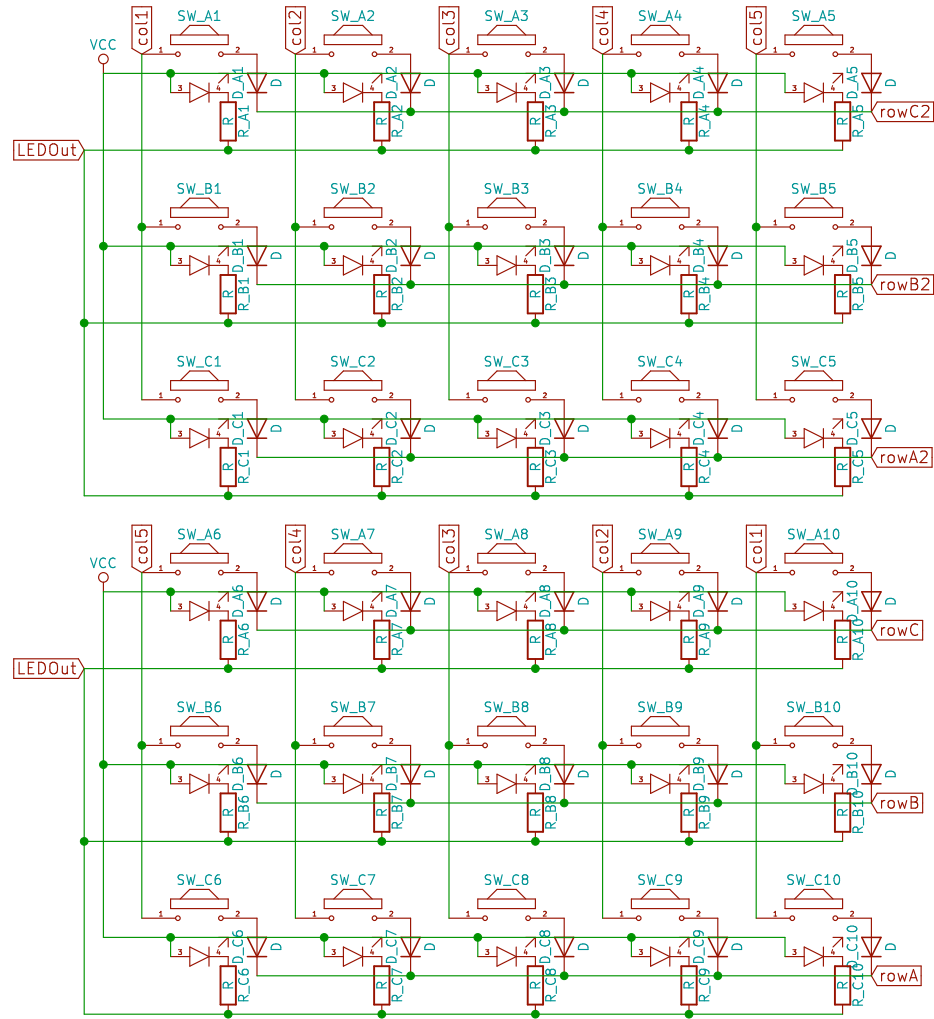
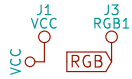
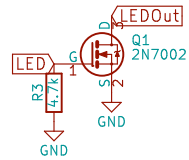


ProMicro



Keebio

Sheet: /
File: dilly.sch

Title: Iris Keyboard

Size: USLetter Date:
KiCad E.D.A. kicad (5.0.0-rc2-dev-90-gfabbc48)

Rev: 2
Id: 1/1